

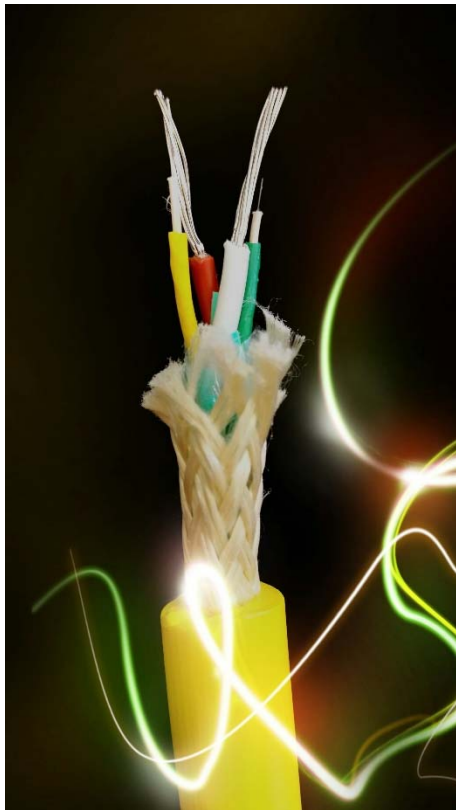


***Hybrid Cables***

**Rugged & Durable**

**Buoyant**

**Thin & Lightweight**



# Hybrid Cables

Linden Photonics introduces **hybrid cables** to its expanding product line. Copper and fiber elements in a **lightweight**, yet strong and robust tether cable. Linden can customize your size, buoyancy and strength; from **neutrally buoyant** designs to extremely thin cables with various conductor offerings and fiber types available. Linden's patented cable jacket construction is designed to protect delicate fibers in the harsh subsea environment. Our cables are compact and rugged; flexible and strong.

## Features

- Rugged, durable patented STFOC fiber optic elements
- Hermetic coating protects fiber from moisture/hydrogen/helium
- Buoyant designs
- Thin wall insulation = thinner/lighter cables
- Fiber strength members = lighter cables
- Vectran fiber available offering less self-abrasion and longer service life

## Advantages

- Virtually crush proof
- Non-corrosive
- Thin, lightweight, yet strong
- Withstands high hydrostatic pressure

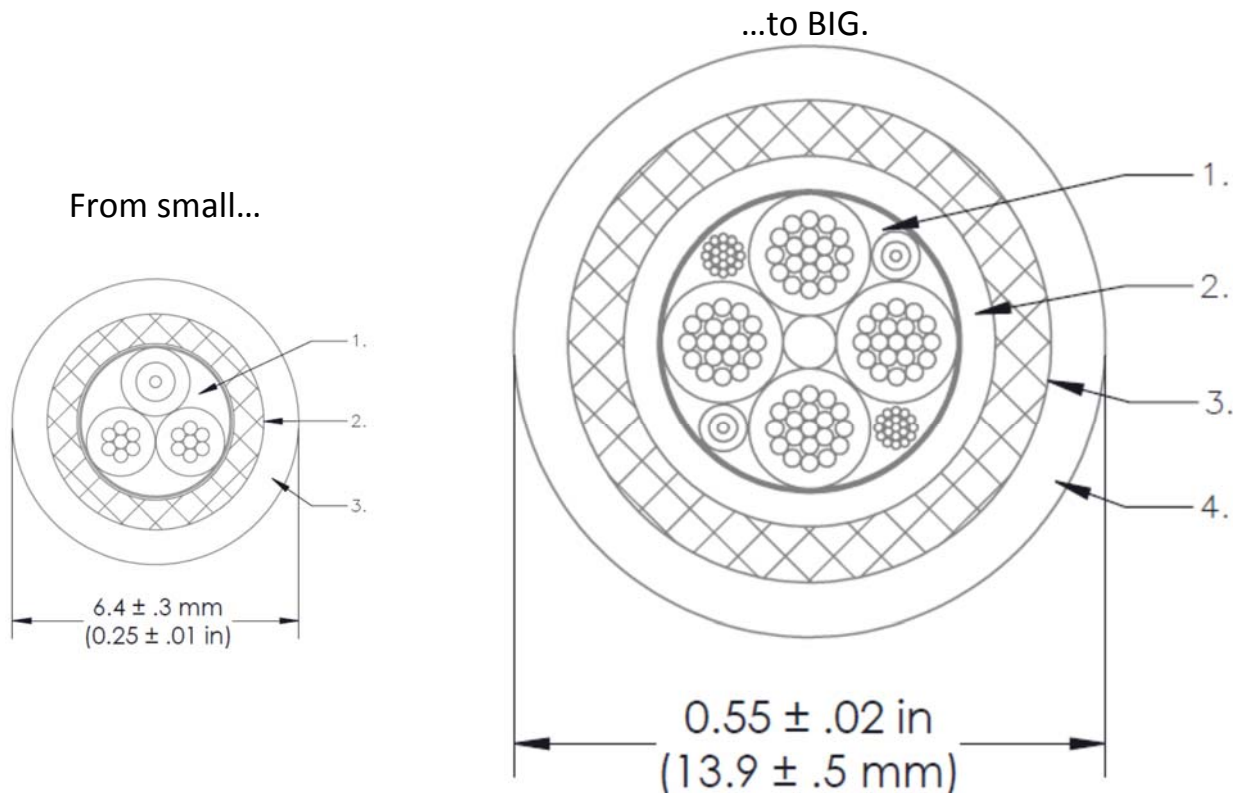




# Ordering Information

Please specify the following;

Fiber	
Fiber	Number of channels
Fiber Type	Singlemode or multimode
Optical Loss Budget	dB
Electrical	
Conductors	Number of channels
Voltage	Maximum Volts (AC or DC)
Power	Maximum Watts (W)
Mechanical	
Working Load	kg
Break Strength	kg
Operating Temp	$^{\circ}$ C
Minimum Bend Radius	cm



Contact Linden Photonics for more detailed specifications or custom requirements