



Linden Photonics, Inc.

**FLY BY FIBER**



2024

# FIBER OPTIC PACK FOR DRONES

Maintaining a link with your drone in a high EMI environment is critical. Wireless drones can be hacked, jammed and disabled.

The solution is long range fiber optic packs. These packs are lightweight, provide high data bandwidth and provide continuous communications.

5KM < 1.8KG



# LINDEN PHOTONICS

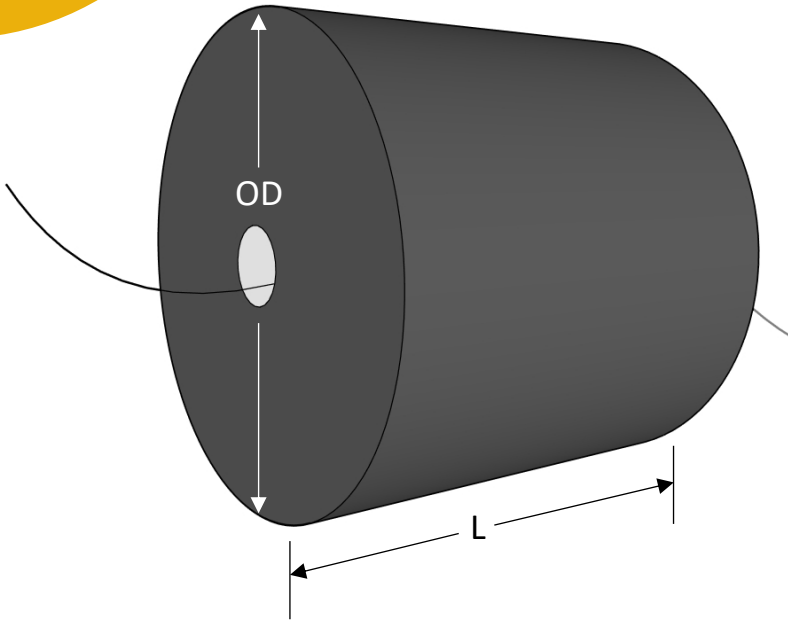
## MICROPACKS™

- No radio emissions means operator & drone cannot be located and targeted.
- Easy release does not obstruct drone flight
- High Speed Deployment
- Up to 25 km
- Watch a Demo Deployment



# CONTACT US

## FOR PRICING OR CUSTOM DESIGNS



### Approximate Sizes and Weights

<b>Strong Fiber Cable</b>			
Fiber Length (km)	L (mm)	OD (mm)	Total Wt (kg)
1	76	89	0.49
2	102	114	0.89
5	127	132	1.80
10	152	157	2.92
20	203	191	5.81

<b>Bare Fiber</b>			
Fiber Length (km)	L (mm)	OD (mm)	Total Wt (kg)
1	51	73	0.21
2	64	73	0.34
5	89	89	0.55
10	102	114	1.01
20	127	140	1.80

### HEAD OFFICE

1 Park Drive STE 8  
Westford, MA 01886 USA  
+1-978-392-7985

[info@LindenPhotonics.com](mailto:info@LindenPhotonics.com)